

Electric Mortice Locks



3570 Series Electric Mortice Lock	34
3570/3670 Series Proximity Mortice Lock & Furniture	40
3570 Series Room Guard Electric Mortice Locks & Controller	44
3580 Series Electric Mortice Lock	46
EL402 Solenoid Lock	52
EL502 Solenoid Lock	54
EL580 Solenoid Lock	56
EL648 Motor lock	58
Power Transfer Lead Cover	60

General Information

Designed and manufactured in Australia, the 3570 series electric mortice is a high performance lock of superior quality. It is constructed from high grade zinc alloy, with a stainless steel latch bolt and face plate and is suited for all commercial applications.

The lock can be operated by push buttons, intercom systems and key switches; or integrated with electronic access control systems for use with higher security devices such as keypads or card readers.

Key Features

Designed with flexibility in mind, the one lock can cover all functions and is easily configured on site for the required application.

Available in non monitored and monitored versions.

Monitoring features:

- Dead latched and Locked
- Door position/Reed switch
- Dual key override monitoring
- Request to exit/REX
- LED indication

Field Changeable settings:

- Fail safe/fail secure configuration.
- Multi-voltage - will work on 12-24 Vdc systems.
- Handing - left hand and right hand doors
- Selection of free lever or locked lever on both sides of the door
- Key override monitoring either side of the door
- Monitoring contacts – normally closed, normally open (for key override and request to exit only)



Standards and Compliance

S3 (Security) Australian Lock Standard (AS4145.2.1993)
(when used with equivalent security level keying system)

D3 (Durability) Australian Lock Standard (AS4145.2.1993)



Successfully fire rated up to 4hrs on fire door assemblies in accordance with AS1905.1. 2005 (Part 1: Fire resistant door sets)

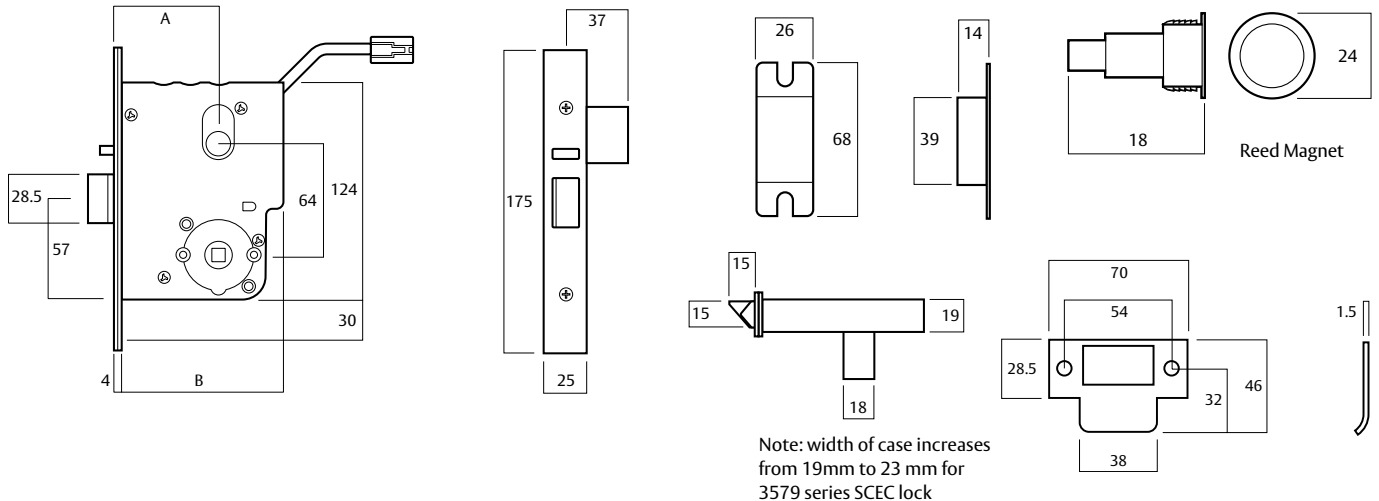


C-Tick Certified

3570 Series: SCEC endorsed for intruder resistant areas

3579 Series: SCEC endorsed for secure areas

3570 Series Electric Mortise Lock



Dimension	Backset		
A	60	89	127
B	100	129	167

3570 Technical Information

Voltage	12Vdc - 24Vdc Operating Voltage
Current	500mA (max) 80mA holding @ 12Vdc 275mA (max) 50mA holding @ 24Vdc
LED Current	When LED's are fitted, add 15mA (max) to total current draw
Monitoring	Dual Key override Deadlatched Locked Door closed Request to exit Microswitches: 500mA (max) @ 30Vdc each circuit. Reedswitch: 100mA (max) @ 30Vdc
Environment	Operational temperature range -20c to + 60c
Case/ Cover	High purity Zinc alloy construction
Backset	60mm standard, 89 & 127 mm available
Latch bolts	Reversible with Stainless Steel construction.
Door Clearance	3 – 6.5 mm
Door thickness	Standard applications 32 to 50mm.
Cylinder	Standard Lockwood oval shaped cylinders.
Cabling	1.6 metre length of cable with 12 pin socket supplied with each lock. Recommended cable: 18AWG (0.82mm ²) cable runs up to 30m.
Furniture	Compatible with Lockwood series door furniture.
Standard Finishes	Satin Chrome(SC) standard. Bright Chrome (CP) and Polished Brass(PB) finishes available

Note: For detailed electrical specifications, turn to page 39.

Specification Statement

The lock should be capable of operation on voltages between 12 – 24Vdc and have a current consumption not more than 80mA (holding) @12Vdc and 50mA (holding) @24Vdc. Monitored locks must be capable of monitoring the following functions: Key override, door position / reed switch, selectable hub / Request to exit, & locking bar status. All monitoring outputs must have the ability to be wired independently. All settings – including: fail safe / fail secure, handing, hub selection must be field configurable.

Ordering Procedure

Sample Part Number 3572ELAM2RSC is made up of several sections. Choose your product by selecting an option from each section.

For example:

Backset	Fixing	Lock Functions	Electric Lock	Safety Function	Sub Function	Handing	Finish
3	5	72	EL	A	M2	R	SC

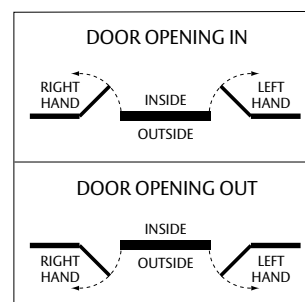
Backset	Lock Functions	Safety Function	Right Handing
60 mm 3	Primary lock 70	Fail Safe (Power to lock) A	Right Handing R
89 mm 4	Vestibule lock 72	Fail Secure (Power to unlock) E	Left Handing L
127 mm 5	Combination lock 74		
	Secure Area Rated Lock 79		
Fixing	Electric Lock	Sub Function	Finish
Standard 5	Electric Lock EL	Non-monitored lock (0 Cylinders) N0	Satin Chrome SC
Securafix® 6		Non-monitored lock (1 Cylinders) N1	Chrome Plate CP
		Non-monitored lock (2 Cylinders) N2	Polished Brass PB
		Fully monitored lock including KOM (0 Cylinders) M0	
		Fully monitored lock including KOM (1 Cylinder) M1	
		Fully monitored lock including KOM (2 cylinders) M2	
		KOM- (Key override monitoring)	

Backset Nominate backset as required, eg 60mm	3
Fixing Select the desired fixing method, eg Standard Fixing 35	35
Lock Function Select function, eg Vestibule Lock	3572
Electrical Variant Indicate that this is an Electric Lock	3582EL
Safety Function Select whether lock should be Fail Secure or Fail Safe, eg Fail Safe	3572ELA
Monitoring and Key Override Options Select monitoring and cylinders to be supplied, eg Monitored Lock with two cylinders	3572ELAM2
Handing Determine left or right handing, eg Right Handed	3572ELAM2R
Finish Specify appropriate finish, eg Satin Chrome	3572ELAM2RSC

Ordering Notes

- 3570 Primary Locks can be set to achieve all lock functions post purchase, and should be the preferred option when ordering.
- Customised locks are available upon request and incur an additional surcharge and 10 day lead time.
- Securafix locks are available in 60mm backset only and are made to order. 10 day lead time.
- See over page for Primary Lock part numbers.

Handing Chart



Ordering Notes

- Primary locks can be set post purchase to achieve all desired lock settings e.g. fail safe or fail secure, left hand or right hand, combination lock (locked both sides) or vestibule lock (locked outside & free lever inside)
- All locks are Multi-voltage 12-24Vdc
- 3570 Primary locks (std 60mm backset) are stocked items. All other items are made to order, 10 day lead time.

Primary Electric Mortice Lock Ordering Procedure

Description - Non-Monitored	Cylinders	Part No
Electric Mortice Lock 3570 Primary Lock 60 mm Backset Non Monitored	No Cylinder	3570ELN0SC
Electric Mortice Lock 3570 Primary Lock 60 mm Backset Non Monitored	1 Cylinder	3570ELN1SC
Electric Mortice Lock 3570 Primary Lock 60 mm Backset Non Monitored	2 Cylinder	3570ELN2SC
Electric Mortice Lock 4570 Primary Lock 89mm Backset Non Monitored	No Cylinder	4570ELN0SC
Electric Mortice Lock 4570 Primary Lock 89 mm Backset Non Monitored	1 Cylinder	4570ELN1SC
Electric Mortice Lock 4570 Primary Lock 89 mm Backset Non Monitored	2 Cylinder	4570ELN2SC
Electric Mortice Lock 5570 Primary Lock 127 mm Backset Non Monitored	No Cylinder	5570ELN0SC
Electric Mortice Lock 5570 Primary Lock 127 mm Backset Non Monitored	1 Cylinder	5570ELN1SC
Electric Mortice Lock 5570 Primary Lock 127 mm Backset Non Monitored	2 Cylinder	5570ELN2SC

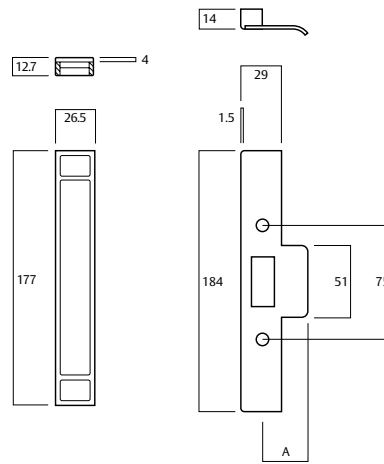
Description - Monitored (hub, deadlatch, solenoid, door position, key override monitoring all as standard)	Cylinders	Part No
Electric Mortice Lock 3570 Primary Lock 60 mm Backset Monitored	No Cylinder	3570ELM0SC
Electric Mortice Lock 3570 Primary Lock 60 mm Backset Monitored	1 Cylinder	3570ELM1SC
Electric Mortice Lock 3570 Primary Lock 60 mm Backset Monitored	2 Cylinder	3570ELM2SC
Electric Mortice Lock 4570 Primary Lock 89 mm Backset Monitored	No Cylinder	4570ELM0SC
Electric Mortice Lock 4570 Primary Lock 89 mm Backset Monitored	1 Cylinder	4570ELM1SC
Electric Mortice Lock 4570 Primary Lock 89 mm Backset Monitored	2 Cylinder	4570ELM2SC
Electric Mortice Lock 5570 Primary Lock 127 mm Backset Monitored	No Cylinder	5570ELM0SC
Electric Mortice Lock 5570 Primary Lock 127 mm Backset Monitored	1 Cylinder	5570ELM1SC
Electric Mortice Lock 5570 Primary Lock 127 mm Backset Monitored	2 Cylinder	5570ELM2SC



3570 Series Electric Mortice Lock

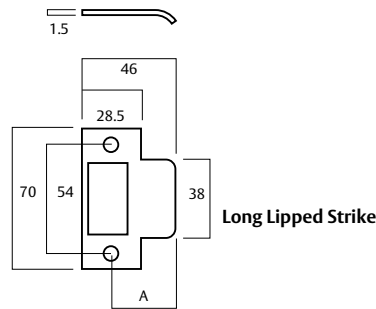
Accessories - Rebate Kits

Finish	"A"	Part Number
Bright Chrome	32	3570-2905BC
	46	3570-3905BC
Polished Brass	32	3570-2905PB
	46	3570-3905PB
Satin Stainless Steel	32	3570-2905SC
	46	3570-3905SC



Accessories - Long Lipped Strikes

Finish	"A"	Part Number
Bright Chrome	43.5	3570-5353CP
	47.5	3570-5653CP
Polished Brass	43.5	3570-5353PB
	47.5	3570-5653PB
Satin Stainless Steel	43.5	3570-5253SSS
	47.5	3570-5453SSS



Accessories Ordering Information

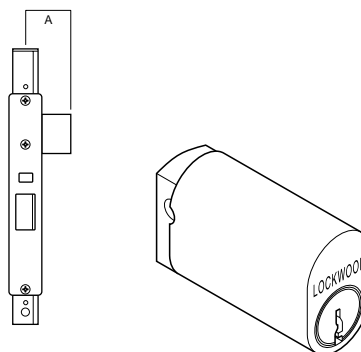
Product Description	Part Number
LED assembly to suit 3570/3580 (suits furniture for monitored locks)	SP572-3129
7.5m extended 12 wire cable	SP3570-1055
9/12 wire adaptor to suit 3570 series electric lock	SP3570-5861
323mm Power Transfer Cable	LC8810
543mm Power Transfer Cable	LC8811

Extended Cylinders

Extended cylinders should be considered when door thickness exceeds 50 mm or when the lock is mounted off centre in the door edge. A range of cylinders is available to suit various door thicknesses. Refer to ASSA ABLOY Australia Keying and Restricted Price List for further information.

Extended Cylinders

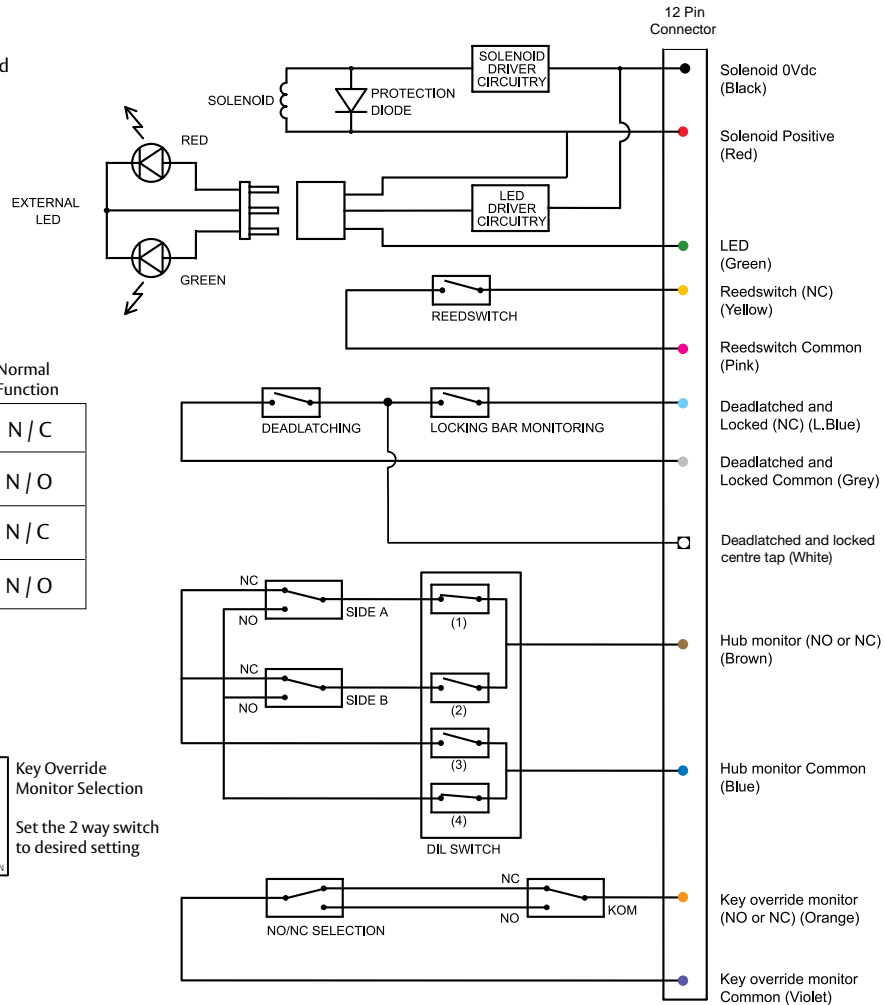
"A" Cylinder Projection	Cylinder Length	Recommended Door Thickness
41	37	50 to 60
52	48	60 to 84
64	60	84 to 108
80	76	108 to 132
88	84	132 to 156



Electrical Specifications

Circuit Diagram

Note: Diagram depicts fail safe RH opened door, with handle and key in rest state.

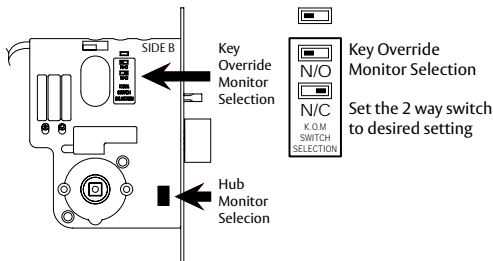


DIL Switch Settings

Hub Monitor

	Switch Number	Lock Side	Normal Function			
	1	2	3	4		
ON	■	■	■	■	A	N / C
OFF	□	□	□	□	A	N / O
ON	■	■	■	■	B	N / C
OFF	□	□	□	□	B	N / O

Key Override Monitor Selection



Solenoid Activation

Operating Voltage:

12 - 24Vdc

Operating Current:

500mA (max) 80mA holding @ 12Vdc
275mA (max) 50mA holding @ 24Vdc

For confirmation of the above mentioned operating current, please see installation manual.

LED Current

Where LEDs are fitted, add 20mA (max) to total operating current.

Monitoring Circuits

Microswitches: 500mA (max) @ 30Vdc each circuit

Reedswitch: 100mA (max) @ 30Vdc

Colour

Black

Red

Green

Yellow

Pink

Light Blue

Grey

White

Brown

Blue

Orange

Violet

Function

Solenoid (0Vdc)

Solenoid Positive (12Vdc - 30Vdc)

LED (12Vdc - 30Vdc)

Door closed Reedswitch (NC)

Door closed Reedswitch (common)

Deadlatched and Locked (NC)

Deadlatched and Locked (common)

Deadlatched and Locked centre tap

Hub monitor (NO or NC)

Hub monitor (common)

Key override monitor (NO or NC)

Key override monitor (common)



3570/3670 Series Proximity Mortice Lock & Furniture

General Information

When security, safety, functionality and stylish design are a priority, there's only one solution – Lockwood Proximity Furniture!

Incorporating proximity technology within its sleek external door plate, the reader connects directly to a Lockwood electric mortice lock.

Easy to install and operate, Lockwood Proximity Furniture is available in a wide range of stylish levers and finishes to enhance any contemporary building design, bringing a new dimension to commercial security locking solutions.

One Install – One Connect. Comprising the Lockwood Electric Mortice Lock, HID Proximity Reader and Door Furniture.

Proximity Furniture™ is available in standard “through fix” and Securafix specifications.

Key Features

- Integrated proximity reader -125 Khz HID Prox
- One install one connect
- Fully monitored

Monitoring features:


- Dead latched and locked
- Door position/reed switch
- Dual key override
- Request to exit/REX

Field Changeable settings:

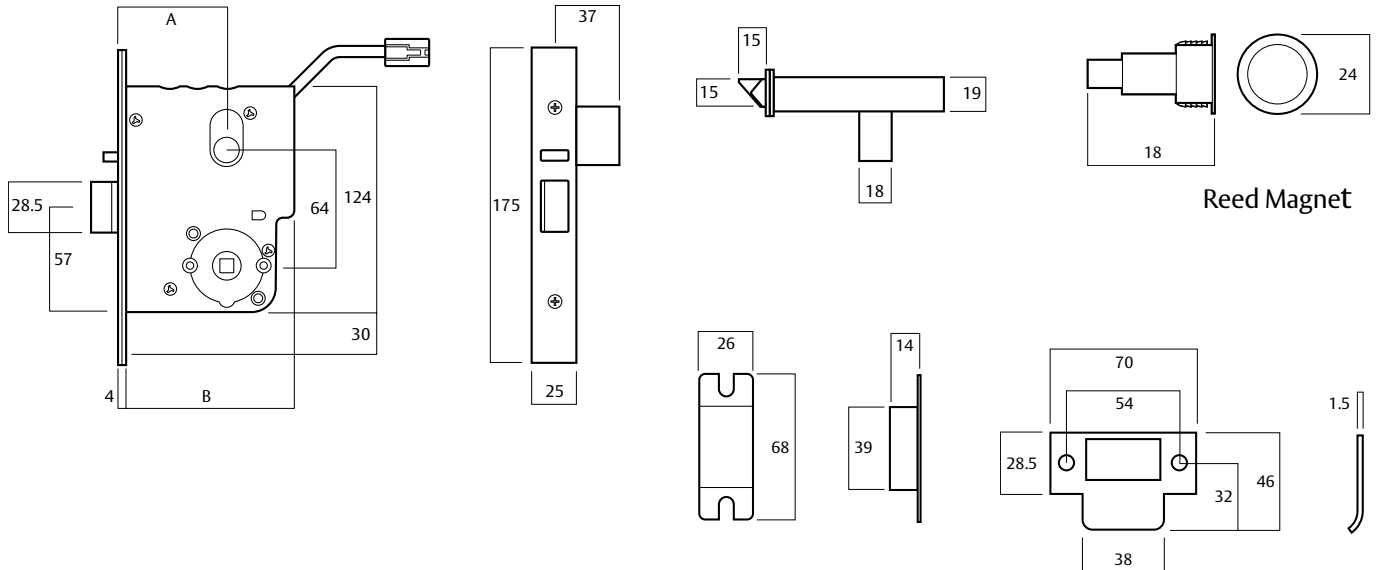
- Fail safe/fail secure configuration.
- Multi-voltage - will work on 12-24 Vdc systems.
- Handing - left hand and right hand doors
- Selection of free lever or locked lever on both sides of the door
- LED indication
- Monitoring contacts – normally closed, normally open (for key override and request to exit only)



Standards and Compliance

- S3** (Security) Australian Lock Standard (AS4145.2.1993)
(when used with equivalent security level keying system)
- D3** (Durability) Australian Lock Standard (AS4145.2.1993)
-  Successfully fire rated up to 4hrs on fire door assemblies in accordance with AS1905.1. 2005 (Part 1: Fire resistant door sets)
-  C-Tick Certified

3570/3670 Series Proximity Mortice Lock & Furniture



3570/3670 Technical Information

HID Reader	HID 125KHz Proximity Reader Data Output: Wiegand Supply voltage: 5-12Vdc LED: visual indication of reader / lock status
Lock Voltage	12Vdc - 24Vdc
Current	500mA (max) 80mA holding @12Vdc 275mA (max) 50mA holding @24Vdc
Indicator	LED signalling door status
Monitoring	Dual Key override Deadlatched Locked Door closed Request to exit Microswitches: 500mA (max) @ 30Vdc each circuit. Reedswitch: 100mA (max) @ 30Vdc
Environment	Operational temperature range -20°C to +60°C
Case/ Cover	Furniture: Solid Brass construction Lock: High purity zinc alloy construction
Backset	Lock available in 60mm backset only
Latch bolts	Reversible 15mm Stainless Steel construction.
Door Clearance	3 – 6.5mm
Door thickness	Standard applications 32 to 45mm standard.
Cylinder	Standard Lockwood oval shaped cylinders.
Cabling	1.6 metre length of cable with 12 pin socket Recommended cabling: 18AWG (0.82mm ²) cable runs up to 30m
Mortice Lock	Compatible with Lockwood 3572PL and 3672PL electric mortice lock
Standard Finishes	Satin Chrome(SC) standard. Bright Chrome (CP) and Polished Brass(PB) finishes available

Note: For detailed electrical specifications, turn to page 37.

Specification Statement

The lock and door furniture should encompass an integrated proximity reader, capable of reading HID 125khz proximity technology with card formats up to 85bits. Operational voltage should be between 12-24Vdc. The lock must be capable of monitoring the following functions: Key override, door position / reed switch, independent hub / Request to exit and locking bar status. All settings including: fail safe / fail secure, handing, hub selection must be field configurable.

3570/3670 Series Proximity Mortice Lock & Furniture

Ordering Procedure

Sample Part Number 3570PLM0SC is made up of several sections. Choose your product by selecting an option from each section.

For example:

Backset	Fixing	Lock Functions	Proximity Lock	Monitoring	Finish
3	5	70	PL	M0	SC
Backset	Lock Functions		Monitoring		
60 mm	3	Primary Lock	70	Monitored Lock including KOM (0 cylinders)	M0
Fixing		Proximity Lock		Monitored Lock including KOM (1 cylinders)	
Standard	5	Proximity Lock	PL	M1	
Securafix®	6	Finishes			
				Satin Chrome	SC
				Bright Chrome	CP
				Polished Brass	PB

Ordering Notes

- All 3570 & 3670 series proximity locks are non handed and can be set to required settings post purchase

Accessories Ordering Information

Product Description	Part Number
12 Wire cable extension 7.5m length	3570-1055
125 Khz HID reader assembly for prox furniture	prox1-125khz

Proximity Furniture Ordering Procedure

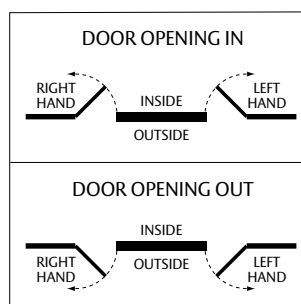
Sample Part Number 1878SF70RCP55 is made up of several sections. Choose your product by selecting an option from each section.

For example:

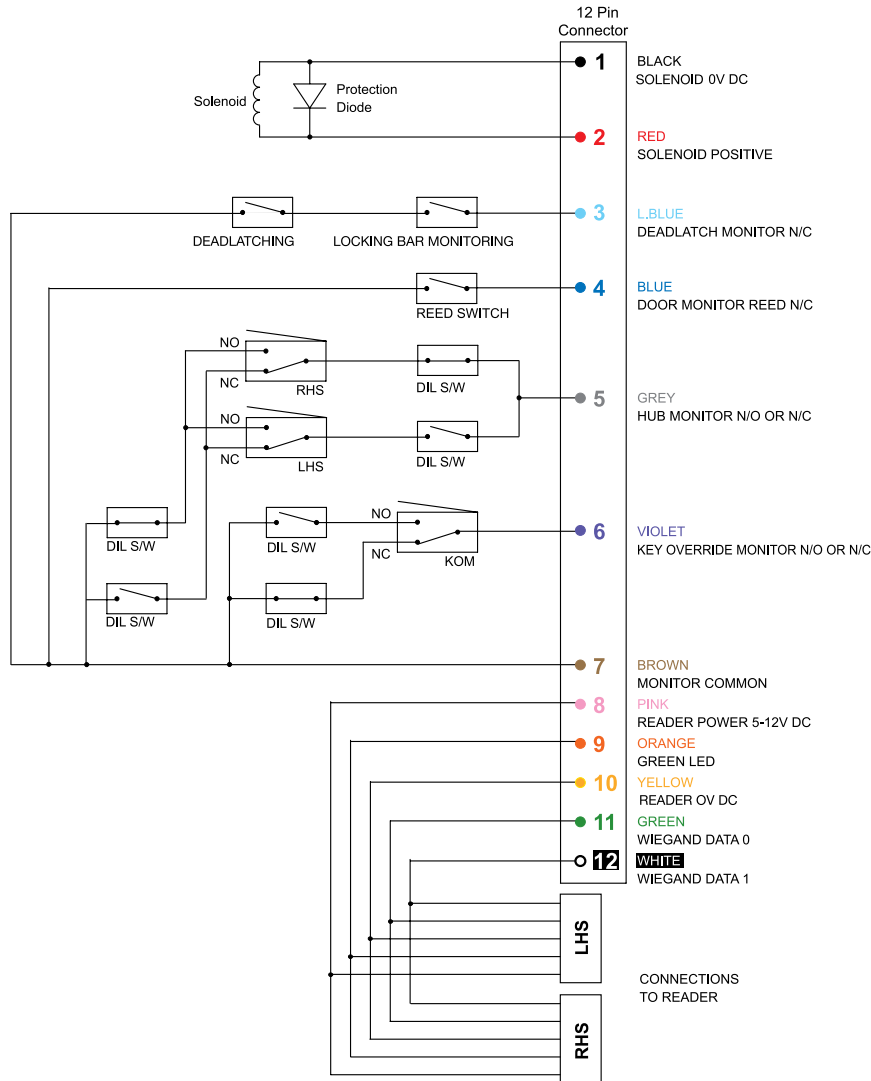
Plate Type	Plate Function	Fixing	Lever/ Knob	Handing	Finishes	Door Thickness
18	78	SF	70	R	CP	55
Plate Type	Fixing	Handing		Door Thickness		
Exterior Square End	18	Standard	(no suffix)	Right handed	R	32-45mm (no suffix)
Exterior Round End	28	Securafix	SF	Left Handed	L	45-55mm 55
Plate Function		Lever/ Knob		Finishes		
Exterior plate with HID 125 kHz Proximity Reader		Specify lever or knob. Subject to existing tier structure		Chrome Plate		
Internal Plain plate & lever		Tier 1		Polished Brass		
05		00, 20, 32, 39, 40, 60, 70, 71, 78, 80, 83, 87, 90, 97.		Satin Chrome		
		Tier 2				
		41, 43, 44, 45, 48, 50, 53, 54, 57, 59, 61, 69, 72, 73, 74.				

Securafix® Ordering Notes:

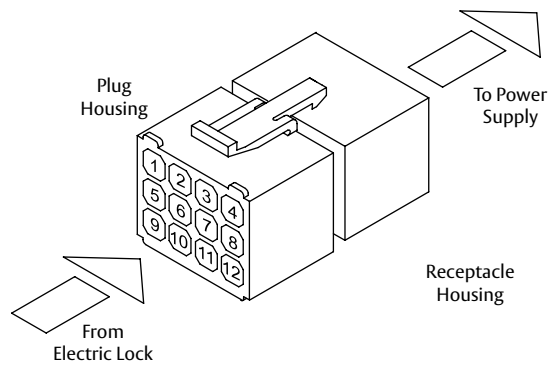
- One internal plate and one external plate is required for each lock.
- For each set of furniture plates, one must be handed R and one handed L. Furniture plates are ordered separately to the Lock.
- The handing of Securafix plates cannot be changed.



3570/3670 Series Proximity Mortice Lock & Furniture



Pin	Colour	Function
1	Black	Common 0Vdc
2	Red	Soleniod Positive
3	L. Blue	Deadlatch Monitor N/C
4	Blue	Door Monitor Reed N/C
5	Grey	Hub Monitor N/O or N/C
6	Violet	Key Override Monitor N/O or N/C
7	Brown	Monitor Common
8	Pink	Reader Power 5-12Vdc
9	Orange	Green LED
10	Yellow	Reader 0Vdc
11	Green	Wiegand Data 0
12	White	Wiegand Data 1



3570 Series Room Guard Electric Mortice Locks & Controller

The Room Guard Privacy controller system provides electronic lock control of multiple doors for any room requiring privacy by the occupants. The most common applications are shared ensuites in hospitals and conference rooms with two or more entry doors.

The system allows all doors to be locked and unlocked from any door in the system. Each lock provides a clear visual indication, both inside and outside, which displays the locked/unlocked status of the door at a glance.

Features

- Uses standard 3570EL series mortice lock
- Non handed – all settings are field configurable
- One touch privacy
- Clear visual indication - LED furniture
- Unique integrated turn knobs
- Emergency override

Applications

- Shared ensuites/toilets
- Darkroom studios
- Conference rooms
- Laboratories
- Any area for which "one touch" privacy locking is required

Function

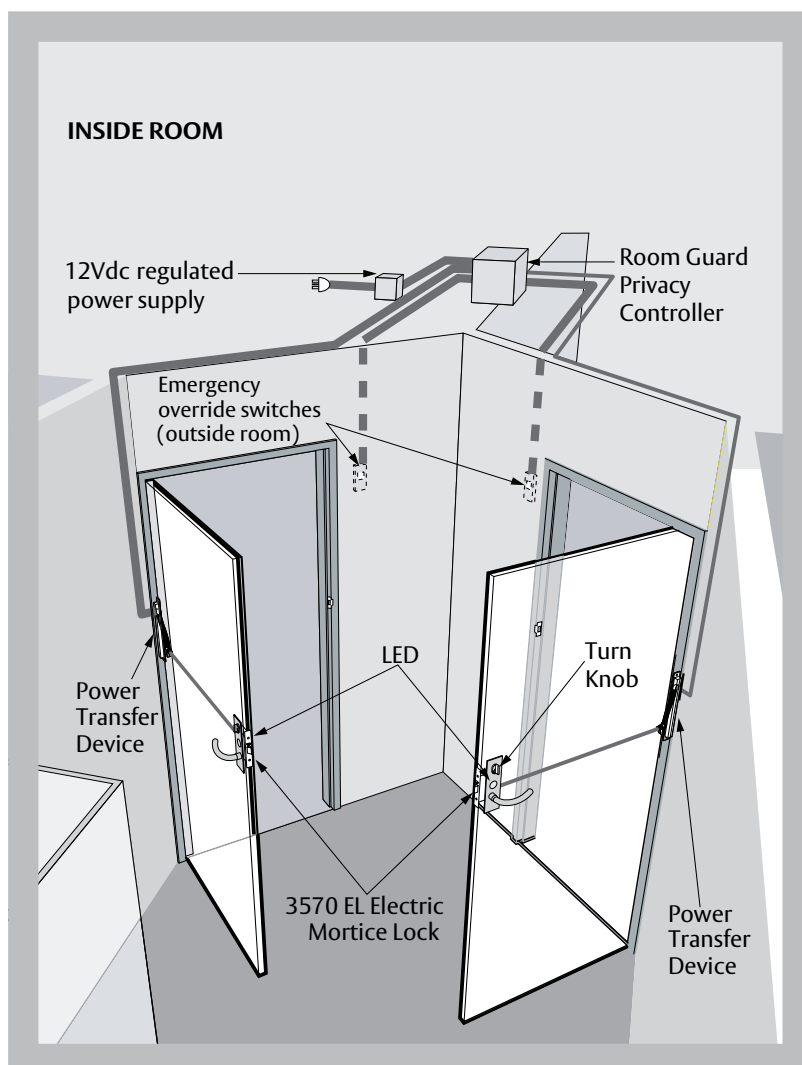
In the dormant state, all locks are unlocked and the LED on the external furniture plate indicates green.

To lock the lock

1. Close all doors
2. Activate one of the turn knobs located on the inside of the door
3. Simultaneously the lever handles on the outside of each door will lock and the LED furniture indication will change to red. (inside lever will remain free at all times)

To Unlock the Room

1. Operate the inside lever of either lock.
2. Simultaneously the locks will unlock and the LED furniture indication will return to green.



Standards and Compliance

S3 (Security) Australian Lock Standard (AS4145.2.1993)
(when used with equivalent security level keying system)

D3 (Durability) Australian Lock Standard (AS4145.2.1993)



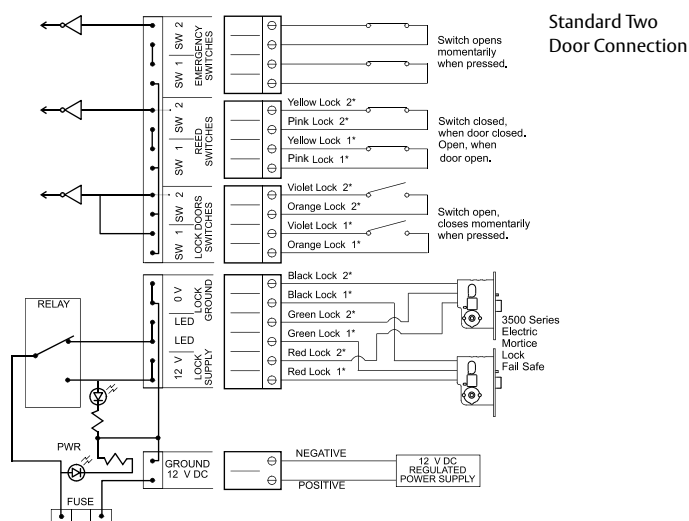
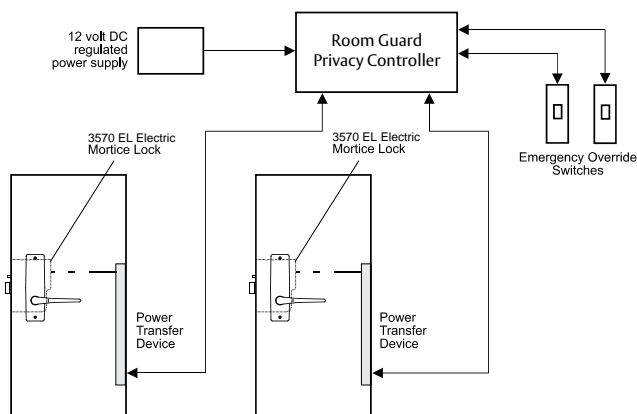
Successfully fire rated up to 4hrs on fire door assemblies
in accordance with AS1905.1. 2005
(Part 1: Fire resistant door sets)



C-Tick Certified

3570 Series Room Guard Electric Mortice Lock & Controller

telephone +61 2 8966 5966
www.keelerhardware.com.au



3570 Series Room Guard Technical Information

Voltage	12Vdc - 24Vdc
Current	500mA (max) 80mA holding @ 12Vdc 275mA (max) 50mA holding @ 24Vdc
LED Current	When LED's are fitted, add 15mA (max) to total current draw
Monitoring	Microswitches: 500mA (max) @ 30Vdc each circuit. Reedswitch: 100mA (max) @ 30Vdc
Environment	Operational temperature range -20c to + 60c
Case/Cover	High purity Zinc alloy construction
Backset	60mm standard, 89 & 127 mm available
Latch bolts	Reversible with Stainless Steel construction
Door Clearance	3 – 6.5 mm
Door thickness	Standard applications 32 to 50mm
Cylinder	Standard Lockwood oval shaped cylinders
Cabling	1.6 metre length of cable with 12 pin socket supplied with each lock Recommended cable: 18AWG (0.82mm ²)
Furniture	Compatible with Lockwood series door furniture
Standard Finishes	Satin Chrome(SC) standard. Bright Chrome (CP) and Polished Brass(PB) finishes available

Note: For detailed electrical specifications, turn to page 37.

Accessories Ordering Information

Product Description	Part Number
7.5m extended 12 wire cable	SP3570-1055
9/12 Wire adapter to suit 3570 series electric lock	SP3570-5861

Specification Statement

Locking control of the room must be via a standalone door controller independent of the building electronic access control system. The controller shall be capable of providing simultaneous locking/unlocking of up to 4 locks via internal integrated turn knobs. Emergency egress or unlocking to be achieved via single downward action of internal lever or externally mounted override switch. The locks should be capable of operation on voltages between 12 – 24Vdc. All lock settings include: fail safe/fail secure, handing, hub selection must be field configurable.

Ordering Information

Product Description	Part Number
Room Guard Privacy Controller plus regulated power supply (12Vdc, 1.5AMP).	RG2PS
Room Guard Privacy Controller.	RG2
Turn knobs, designed for the integrated assembly with Lockwood electric mortice locks. <i>Other finishes available upon application.</i>	RG3SC
A typical room with two doors requires the following equipment:	
1 x Room Guard Privacy Controller	RG2PS or RG2
2 x Room Guard Privacy Controller turn knobs	RG3SC
2 x Electric Mortice Locks	3570ELM0SC
2 x Power transfer devices	LC8810
2 x Exterior door furniture	1822/70SC
2 x Interior door furniture	1920/70SC
2 x 7.5M extended cables	SP3570-1055

Note: Due to the variety of installation décor, Lockwood does not supply emergency release push buttons. However we recommend a Clipsal model 31 architrave mounting plate with model 30MBP push button, or equivalent, available from most electrical wholesalers.

3580 Series Electric Mortice Lock

Designed and manufactured in Australia, the 3580 series electric mortice is a high performance lock of superior quality. It is constructed from high grade zinc alloy, with a stainless steel latch bolt and face plate and is suited for all commercial applications.

The lock can be operated by push buttons, intercom systems and key switches; or integrated with electronic access control systems for use with higher security devices such as keypads or card readers.

The 3580 series is available in a wide variety of configurations to suit varying requirements and is especially suited to narrow style or short backset applications.

Key Features

Available in non monitored and monitored versions.

Monitoring features:

- Dead latched
- Door position/reed switch
- Key override
- Request to exit/REX

Available configurations:

- Fail safe or fail secure
- 12Vdc or 24Vdc
- Field changeable monitoring contacts – normally closed, normally open
- Field changeable handing - Left hand and right hand doors
- Selection of free lever or locked lever on both sides of the door
- Key override monitoring
- LED indication



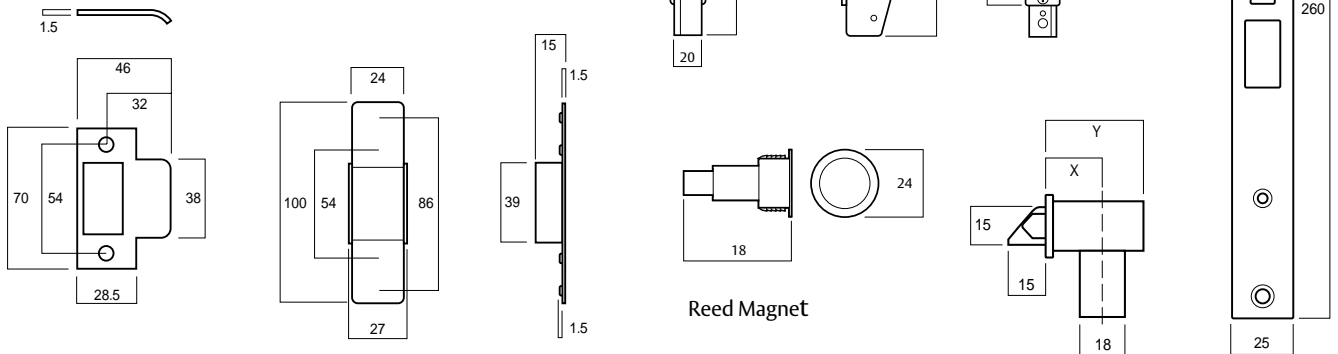
Standards and Compliance

- S2** (Security) Australian Lock Standard (AS4145.2.1993)
- D3** (Durability) Australian Lock Standard (AS4145.2.1993)
-  C-Tick Certified

3580 Series Electric Mortice Lock

Limiting Dimensions

Dimension	Backset			
X	23	25.4	30	38
Y	36.4	39	43.6	51.7



3580 Series Technical Information

Voltage	Available in 12Vdc or 24Vdc
Current	12Vdc \pm 5% 250mA (max) 24Vdc \pm 5% 125mA (max)
LED Current	When LED's are fitted, add 15mA (max) to total current draw
Monitoring	Key override Deadlatched and door closed Request to exit Hub/Deadlatch/Key override monitor: max ratings 500mA@30Vdc Door Status Monitor: max ratings 3W, 250mA (max) @ 12Vdc, 125mA (max) @24Vdc
Environment	Operational temperature range -20°C to +60°C
Case/ Cover	High purity zinc alloy construction
Backset	23mm standard. 25.4, 30 & 38 mm extended available
Latch bolts	15mm Stainless Steel construction
Door Clearance	3 – 6.5 mm
Door thickness	Standard applications 32 to 50mm Extension kits available
Cylinder	Standard Lockwood oval shaped cylinders
Cabling	3.6 metre length of cable with 9 pin socket supplied with each lock. Recommended cabling: 18AWG (0.82mm ²) cable runs up to 30m
Furniture	Compatible with Lockwood series door furniture
Standard Finishes	Satin Chrome(SC) standard. Bright Chrome (CP) and Polished Brass(PB) finishes available

Note: For detailed electrical specifications, turn to page 48.

Accessories Ordering Information

Product Description	Part Number
Anti-Clockwise Rebate Kit Replace ## with finish code (SC, CP, PB)	3580-2902AC##
Clockwise Rebate Kit Replace ## with finish code (SC, CP, PB)	35802902CW##
LED Assembly to suit 3570/3580	SP572-3129
7.5m extended 9 wire cable	SP3580-1052

Specification Statement

The lock should be capable of operation on voltages of 12 or 24Vdc and have a current consumption not more than 250mA (max) @12Vdc and 125mA (max) @24Vdc. Monitored locks must be capable of monitoring the following functions: Key override, door position/reed switch & independent hub/ Request to exit. All monitoring outputs must have the ability to be wired independently. The lock must be capable of operating fail safe or fail secure, left or right hand, and have field configurable hub selection.

3580 Series Electric Mortice Lock

Ordering Procedure

Sample Part Number 3582ELAM2RSC62 is made up of several sections.
Choose your product by selecting an option from each section.

For example:

Backset	Door Material	Lock Function	New Product	Safety Function	Sub Function	Handing	Finish	Options
3	58	2	EL	A	M2	R	SC	62

Backset	
23 mm	3
25.4 mm	4
30 mm	5
38 mm	6

Door Material	
Metal	58
Timber	59

Lock Function	
Vestibule lock	2
Combination Lock	4

New Product	
EL	

Safety Function	
Fail Safe (Power to lock)	A
Fail Secure (Power to unlock)	E

Sub Function	
Non-monitored lock (0 Cylinders)	N0
Non-monitored lock (1 Cylinder)	N1
Non-monitored lock (2 Cylinders)	N2
Monitored Lock (0 Cylinders)	M0
Monitored Lock (1 Cylinder)	M1
Monitored Lock (2 Cylinders)	M2
Monitored Lock including KOM (0 Cylinder)	M4
Monitored Lock including KOM (1 Cylinder)	M5

KOM-
(Key override moitoring)

Handing	
Right Handing	R
Left Handing	L

Finish	
Bright Chrome	CP
Polished Brass	PB
Satin Chrome	SC

Options	
24 volt model	62

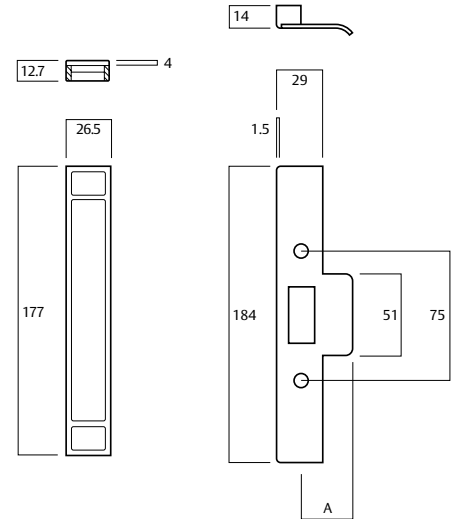
Backset Nominate backset as required, eg 23mm	3
Door Material Nominate door material, eg Metal	358
Lock Function Select function, eg Vestibule Lock	3582
Electrical Variant Indicate that this is an Electric Lock	3582EL
Safety Function Select whether lock should be Fail Secure or Fail Safe, eg Fail Safe	3582ELA
Monitoring and Key Override Options Select monitoring and cylinders to be supplied, eg Monitored Lock with 2 cylinders	3582ELAM2
Handing Determine left or right handing, eg Right Handed	3582ELAM2R
Finish Specify appropriate finish, eg Satin Chrome	3582ELAM2RSC
Options Specify 24Vdc opion when required	3582ELAM2RSC62

3580 Series Electric Mortice Lock

Accessories

Rebate kits to suit 13 mm rebated timber doors with a minimum backset of 30 mm includes an adaptor to mount the lock and a special strike plate. Handing of the rebate kits is determined by the opening movement of the door on which the lock is fitted.

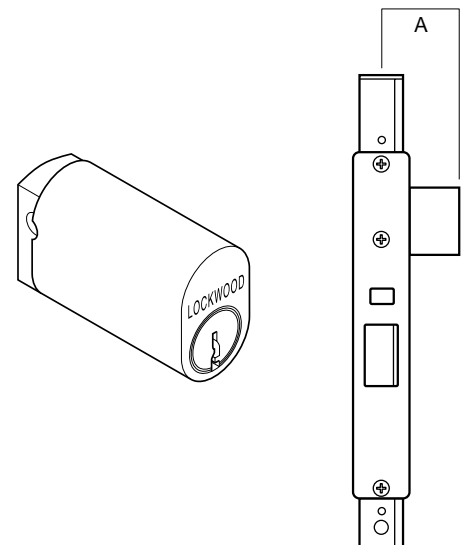
Finish	Anti-clockwise	Clockwise
Satin Chrome	3580-2902ACWSC	3580-2902CWSC
Bright Chrome	3580-2902ACWCP	3580-2902CWCP
Polished Brass	3580-2902ACWPB	3580-2902CWPB



Extended Cylinders

Extended cylinders should be considered when door thickness exceeds 50 mm or when the lock is mounted off centre in the door edge. A range of cylinders is available to suit various door thicknesses. Refer to ASSA ABLOY Australia Keying and Restricted Price List for further information.

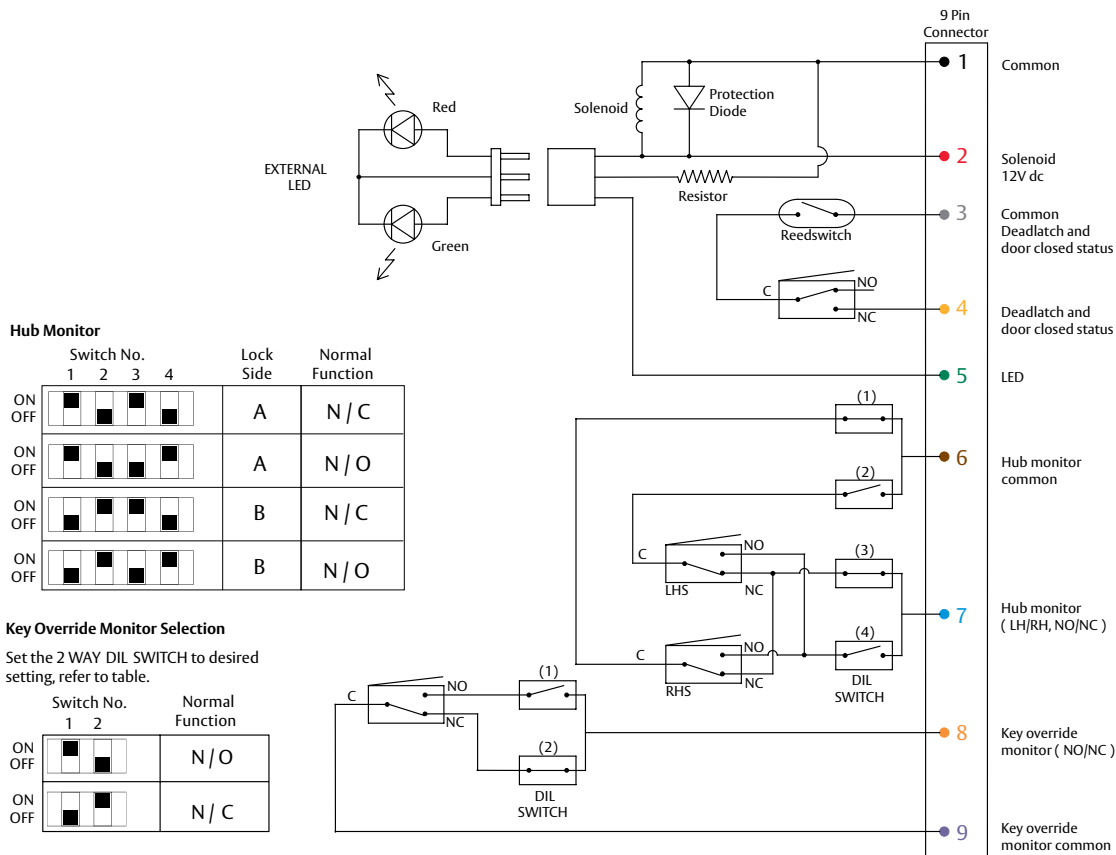
"A" Cylinder Projection	Cylinder Length	Recommended Door Thickness
41	37	50 to 60
52	48	60 to 84
64	60	84 to 108
80	76	108 to 132
88	84	132 to 156



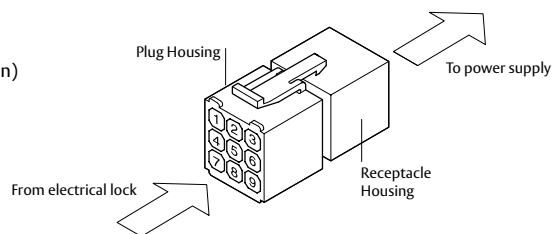
Electrical Specifications

Circuit Diagram

Note: Diagram depicts fail safe 12V RH opened door, with handle and key in rest state.



Pin	Colour	Function
1	Black	Common (0Vdc)
2	Red	Solenoid (12Vdc or 24Vdc)
3	Grey	Deadlatch and door closed status (common)
4	Yellow	Deadlatch and door closed status
5	Green	LED
6	Brown	Hub monitor (common)
7	Blue	Hub monitor (RH/LH, NO/NC)
8	Orange	Key override monitor (NO/NC)
9	Violet	Key override monitor (common)



Keeler Hardware

telephone +61 2 8966 5966
www.keelerhardware.com.au



General Description

ABLOY EL402 is typically used in the interior doors of business premises and educational buildings. The locks include a special double action bolt for quick and easy use and offer a cost-effective way of electric locking without compromising performance. The locks can be controlled by a variety of electrical impulse generating equipment such as card readers, keypads and timers. The locks can be connected to automatic swing door operators and are an excellent solution for access control systems. The new revolutionary adjustable backset feature offers unique flexibility that's never been available before. Because of its symmetrical trigger bolt, ABLOY EL402 can be used in double swing doors. The lock can always be opened mechanically by key or by thumb turn and the bolt deadlocks automatically when the door closes.

Key Features

- Field selectable Fail Safe/Fail Secure configuration
- Non Handed Symmetrical trigger bolt
- Visual Lock Status indicator
- Immediate release of Deadlocking
- Push or Pull operation
- Wide Operating Voltage
- Adjustable Backset Between 25 – 35 to suit most narrow style applications.

Applications

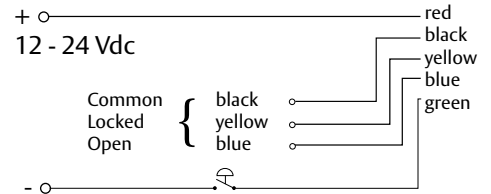
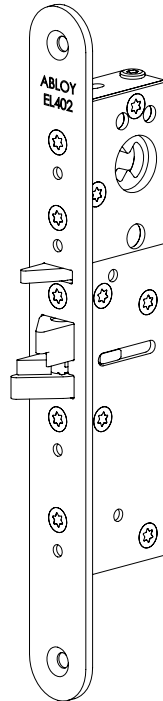
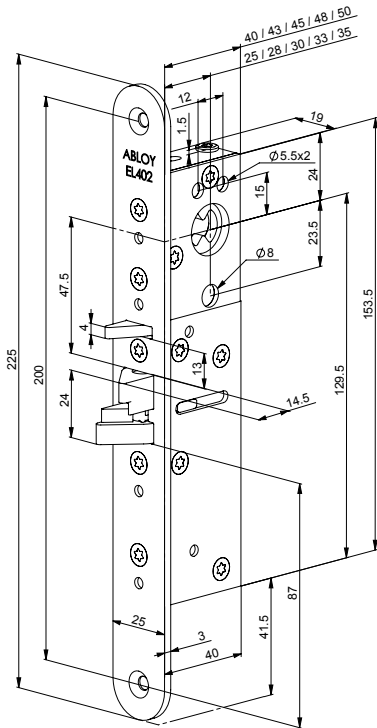
- Offices
- Storage rooms
- Consulting rooms
(All Narrow style)
- Top of glass doors 180°

Note: The EL402 is not recommended

- For use in doors with seal force
- For use in fire doors

Note: EL 412 & EL 413 are replaced with EL 402





EL402 Solenoid Lock Technical Information

Voltage	12-24 Vdc -10%/ +15% STAB
Current	550mA (max) 240mA holding @12Vdc 270mA (max) 110mA holding @24Vdc
Monitoring	Microswitch 0.4A 30V AC (deadlock status)
Environment	Operational temperature range -20°C to +60°C
Case/Cover	High Purity zinc alloy
Forend	25mm
Backset	25, 28, 30, 33, 35mm (adjustable)
Latchbolts	Double action latch 14.5mm
Door Clearance	3-5 mm
Cylinder	ABLOY classic or ABLOY Disklock Pro
Cabling	Recommended cable: 18AWG (0.82mm ²) cable runs up to 30m
Furniture	ABLOY Architectural Hardware
Standard Finishes	Chrome plated forend, lock case yellow chrome plated

Specification Statement

The mortice lock must consist of High grade pure zinc alloy, the lock needs to have an adjustable backset 25,28,30,33 and 35mm. The latch bolt must be no less than 14.5mm with complete double action trigger. The voltage must be variable between 12-24Vdc with tolerance of 10% up or down. The lock and unlocked status must be fully monitored by means of dry contacts.

Ordering Information

Product Description	Part Number
ABLOY EL 402 Narrow Style Electric Mortice Solenoid Lock	EL402
Cable 6m for EL402	EA211
Accessories	
Furniture (Narrow Style)	4/0645

General Description

ABLOY EL502 is typically used in the interior doors of business premises and educational buildings. The locks include a special double action bolt for quick and easy use and offer a cost-effective way of electric locking without compromising performance. The locks can be controlled by a variety of electrical impulse generating equipment such as card readers, keypads and timers. The locks can be connected to automatic swing door operators and are an excellent solution for access control systems. The new revolutionary adjustable backset feature offers unique flexibility that's never been available before. Because of its symmetrical trigger bolt, ABLOY EL502 can be used in double swing doors. The lock can always be opened mechanically by key or by thumb turn and the bolt deadlocks automatically when the door closes.

Key Features

- Field selectable Fail Safe/ Fail Secure configuration
- Non Handed Symmetrical trigger bolt
- Visual Lock Status indicator
- Immediate release of Deadlocking
- Push or Pull operation
- Wide Operating Voltage
- Backset 50mm

Applications

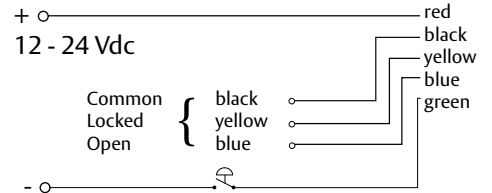
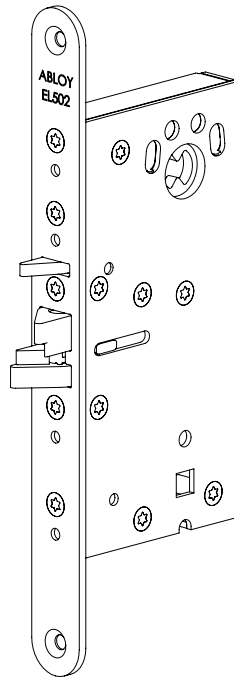
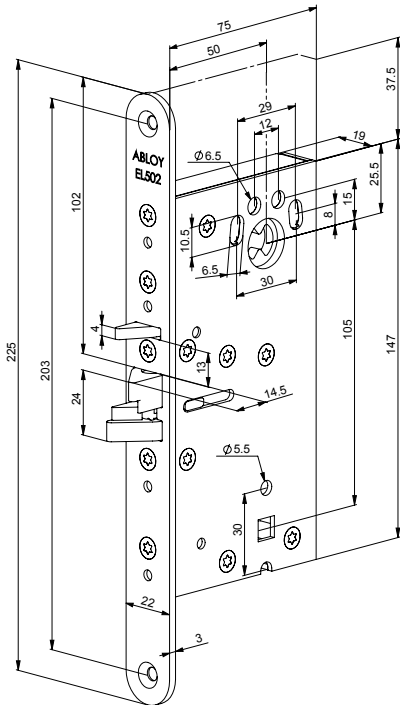
- Offices
- Storage rooms
- Consulting rooms

Note: The EL402 is not recommended;

- For use in doors with seal force
- For use in fire doors

Note: EL 512 & EL 513 are replaced with EL502





EL502 Solenoid Lock Technical Information

Voltage	12-24 Vdc -10%/ +15% STAB
Current	12V Max 550 mA, Normal 240mA 24V Max 270mA, Normal 110mA
Monitoring	Microswitch 0.4A 30V AC (Deadlock status)
Environment	Operational temperature range -20°C to +60°C
Case/ Cover	High Purity zinc alloy
Forend	22mm
Backset	50mm
Latchbolts	Double action latch 14.5mm
Door Clearance	3-5 mm
Cylinder	ABLOY classic or ABLOY Disklock Pro Scandanavian oval type
Cabling	Recommended cable: 18AWG (0.82mm ²) cable runs up to 30m
Furniture	ABLOY Architectural Hardware
Standard Finishes	Chrome plated forend, lock case yellow chrome plated

Specification Statement

This mortice lock must consist of High grade pure zinc alloy, the lock needs to have a backset 50mm. The latch bold must be no less than 14.5mm with complete double action trigger. The voltage must be variable between 12-24Vdc with tolerance of 15% up or 10% down. The lock and unlocked status must be fully monitored by means of dry contacts.

Ordering Information

Product Description	Part Number
ABLOY EL 502 Electric mortice Solenoid Lock	EL502
Cable 6m for EL502	EA211

General Information

ABLOY EL580 Locks are suitable for interior or exterior doors of business premises and the exterior doors of apartment buildings and detached houses.

Abloy EL580 is suitable for use in exit doors as the inside handle is free for egress at all times. The locks are automatically deadlocked from the Exterior when the door is closed. The locks can be controlled by a variety of electrical impulse generating equipment, such as a card reader, keypad and timer.

Key Features

- Interchangeable handing
- Changeable function of handle control
- Configurable fail safe or fail secure
- 12-24Vdc operating voltage
- Configuration of deadbolt either 14mm or 20mm
- Increased protection against manipulation
- Low current feature while continuous control

Applications

- Offices
- Storage rooms
- Consulting rooms
- Fire Doors



EL580 Solenoid Lock Technical Information

Voltage	12-24Vdc -10%/ +15% STA
Current	12V Max 550 mA, Normal 270mA 24V Max 240mA, Normal 110mA
Environment	Operational temperature range -20°C to +60°C
Case/ Cover	High purity Zinc alloy construction
Backset	50mm
Latchbolts	Bolt throw: 14mm or 20mm configurable
Cylinder	Scandinavian Oval or Finnish type cylinder
Cabling	Recommended cable: 18AWG (0.82mm ²) cable runs up to 30m
Furniture	ABLOY Architectural Hardware
Standard Finishes	Chrome plated forend

Ordering Information

Product Description	Part Number
ABLOY EL580 Electric Mortise Solenoid Lock	EL580
Cable 6m for EL580	EA210

Specifier Statement

The mortise lock must consist of High grade pure Zinc alloy The lock needs to have a backset of 50mm. The latch bolt must be configurable between 14 - 20mm. It also needs to be field selectable for the fail safe and fail secure configuration. The voltage must be variable between 12-24Vdc. The following parts need to be fully monitored; bolt position, handle down and REX by means of dry contacts.



General Information

The EL648 is a heavy duty motor lock with hook bolt for narrow style doors. They provide superior mechanical strength against physical attack. The EL648 is used in high security auxiliary lock in applications such as gates and exterior doors of industrial premises, shopping centres, business premises etc. The lock is especially suited for sliding doors as it can be installed in the door frame or the door leaf. EL648 is ideal for night locking that requires greater strength and security. The lock can be controlled by a variety of electrical impulse generating equipment such as a card reader, keypad or timer. This is suitable for use with sliding door operators.

Key Features

- High security motor bolt.
- Lock case is connected with a separate control unit.
- 12-24Vdc operating voltage
- Configuration of deadbolt either 14mm or 20mm
- Increased protection against manipulation
- Striker plate includes door position magnet.
- Fully monitored, bolt in/bolt out, door position manual operation
- Can configure lock in fail safe and fail secure (Backup card required to set the lock case to go to desired position in case of power failure)

Note: Lock requires EA460 Control unit to operate.



Lockwood Power Transfer Lead

LC8810

The LC8810 and LC8811 Power Transfer Lead Covers are designed to ensure unbroken transfer of wires between door and frame in electric locking situations.

Features:

- Provides unbroken connection from controller to lock, for cable up to 8 mm diameter.
- Vandal-resistant chrome plated steel flexible.
- Completely concealed when the door is closed.

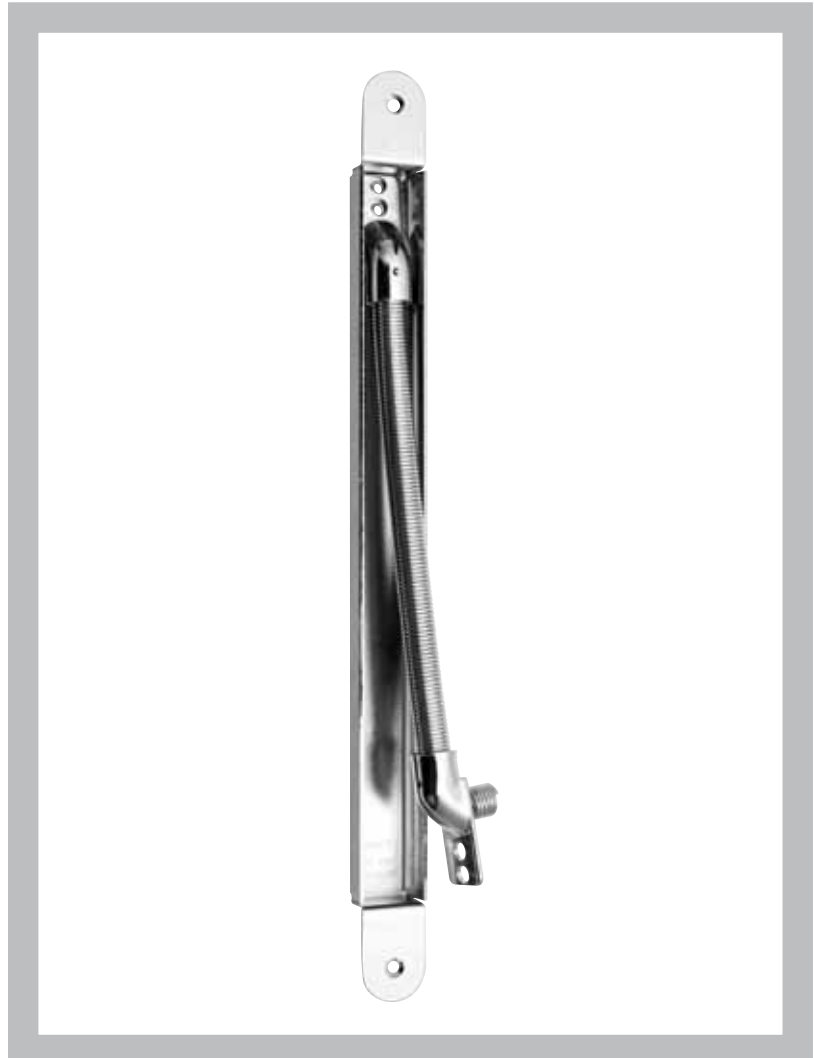
Applications

LC8810

The LC8810 is a shorter unit suitable for hinged doors which open to 90° (maximum of 120°).

LC8811

The LC8811 is designed for use on doors which open more than 120°, or have a gap from pin hinge to door frame of more than 20 mm. NB. Not suitable for centrally pivoted doors.



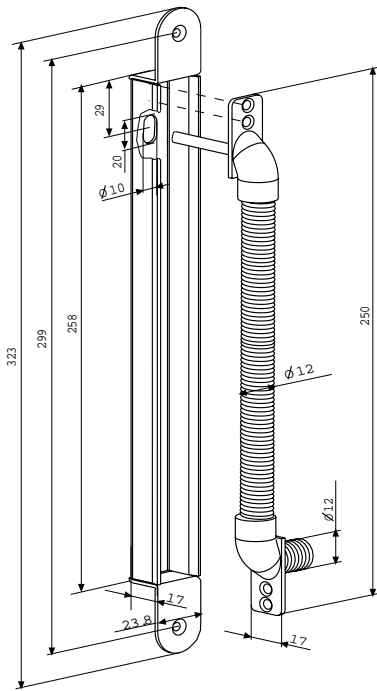
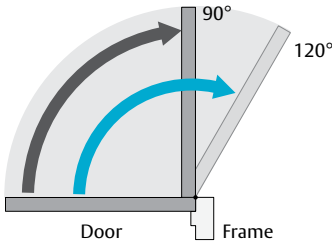
Standards and Compliance



Successfully fire rated up to 4hrs on fire door assemblies in accordance with AS1905.1. 2005 (Part 1: Fire resistant door sets)

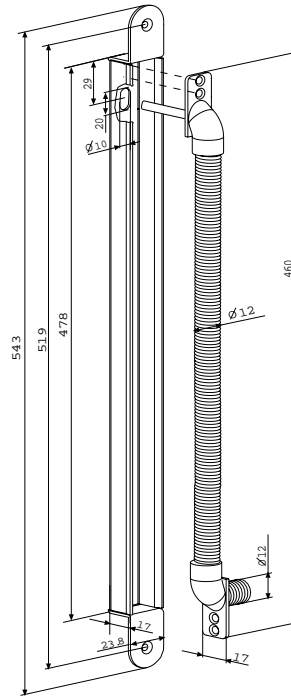
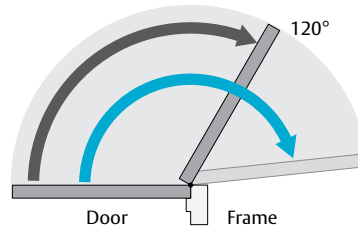
LC8810

The LC8810 is a shorter unit suitable for hinged doors which open to 90° (maximum of 120°).



LC8811

The LC8811 is designed for use on doors which open more than 120°, or have a gap from pin hinge to door frame of more than 20 mm. NB. Not suitable for centrally pivoted doors.



Ordering Information

Product Description	Part Number
323mm Power Transfer Cable	LC8810
543mm Power Transfer Cable	LC8811