



# 3580 Series Cylinder Mortice Locks



ASSA ABLOY

ASSA ABLOY, the global leader  
in door opening solutions

# Contents

<b>3580 General Information</b>	<b>1 - 2</b>
<b>3582 Short Backset Vestibule Locks</b>	<b>4 - 6</b>
<b>3584 Short Backset Combination Locks</b>	<b>8 - 9</b>
<b>3580 Accessories</b>	<b>10 - 11</b>
<b>3580 Ordering Procedure</b>	<b>12</b>

## Application

A comprehensive range of automatic deadlatches, complete with spring loaded furniture, for narrow stile hinged doors, combining convenience and security.

## Features & Specifications

The Australian designed and built 3580 Series Short Backset Cylinder Mortice Locks are made of the finest materials, with the easy action and solid feel of the world's finest locks.

### Single Action Escape:

- Both lockset and furniture are reversible without disassembly.

### Case & Cover Plates:

- High purity alloy material cases;
- Brass plates provided for all finishes.

### Furniture Plates & Lever Handles:

- Solid Brass.

### Backset:

- 23mm Standard backset. Extended backsets of 25.4mm, 30mm and 38mm are available on application.

### Latchbolts:

- Latchbolts are 15mm, stainless steel;
- Deadlatching is achieved by an auxiliary stainless steel latchbolt;
- This auxiliary bolt retracts when the main latchbolt is withdrawn when the door is closed.

### Springs:

- High-grade spring steel material, corrosion protected.

### Cylinder Retaining Pin:

- Hard-drawn spring steel wire, corrosion protected.

### Door Thickness:

- Timber doors: 32 to 50mm;
- These locks are available with a long coverplate, strike and screws to suit timber doors and jambs;
- Metal doors: 35 to 50mm;
- Suits hollow-style aluminium door sections with 37 mm minimum internal depth.

### Cylinder:

- 5 pin tumbler mechanism. Standard Lockwood oval shaped, Brass cylinders and Brass plugs.

## Keying

### Standard Keying

Supplied individually keyed with two keys per lock. 78,000 key combinations. Key blank KB 2015P.

## Special Keying

Can be keyed alike, master keyed, grand master keyed, maison keyed or construction keyed in Lockwood security keying systems.

## Security

Standard 3580 Series Cylinder Mortice Locks conform to physical security level S2 Australian Lock Standard AS4145.2:1993.

Conformance to physical security level S3 available on application.

## Durability

All 3580 Series Cylinder Mortice Locks conform to durability level D3 Australian Lock Standard AS4145.2:1993.

## Door Clearance

To ensure correct functioning of the deadlatching mechanism and security for all locks, the clearance between the door and frame should be no less than 3mm. However the deadlatching will operate up to 8mm door clearance.

## Standard Finishes

Bright Chrome	CP
Satin Chrome	SC
Polished Brass	PB

## Specification Service

For all architectural hardware specification assistance refer to your local Lockwood sales office.

A fully comprehensive, obligation free, architectural door hardware specification can be prepared by Lockwood architectural hardware consultants.

## Hold-Back Cylinders

A key operated hold-back function for latching cylinders is available. Refer accessories on Page 11.

## Extended Cylinders

Extended cylinders are available for thicker doors. Refer accessories on Page 11.

## Rebate

Rebate kits to suit 13mm standard rebate are available. Refer accessories on Page 12.

## Electric Strikes

Lockwood 3580 Series Mortice Locks are compatible with most electric strikes. Refer local sales office for further detail.

**S2 HIGH SECURITY**

**D3 DURABILITY**



**ASSA ABLOY**

# 3580 Series Cylinder Mortice Locks

## 1. Hub Selection

Sliding adjustable locking blocks attached to the snib, screw fixed in either the operative or inoperative positions, accessible from the outside of the lock body to set hubs as required.

## 2. Latch Bolt:

- Reversible for both left and right hand doors, opening in or opening out without disassembly;
- Standard deadlatch configuration only, 15 mm stainless steel material;
- Electric strike compatibility;
- Separate auxiliary bolt moves into lock case simultaneously with latch bolt;
- New radius bolt provides greater deadlatch throw and smoother closing action.

## 3. Strike

Brass material to suit inward/outward opening doors to conform to Australian Lock Standard universal strike.

## 4. Retrofit Applications

Lock is available for existing Lockwood 595/5900 and ASTRA short backset cylinder mortice lock installation. Refer strike on page 11.

## 5. Door Thickness

- Timber doors: 32 to 50 mm.
- Metal doors: 35 to 50 mm.

## 6. Backsets

- Standard Backset - 23 mm.
- Other backsets available on application 25.4, 30 and 38 mm.

## 7. Cylinder/Adaptor Retention

Patented "Slip Pin" Cylinder/Adaptor fixing method, which allows attachment to the lock case by inserting a non-threaded cylindrical pin through the front of the lock case. Patent Number 643379.

## 8. Multi-Function Lock:

- Lock is designed to significantly reduce stock line items;
- Standard cylinder mortice lock can be converted from escape function to combination function by simple manipulation of hub snibs without lock case disassembly.

## 9. Rebate Kit

Rebate kit suitable for timber doors with a minimum backset of 30 mm.

## 10. Case Assembly

High purity alloy case and backplate.

## 11. Lock Fixing

Fabricator pack and timber door fixing.

## Anti-Lockout Function\*

Lockset 3582A provides anti-lockout function for patio, school and other applications.

\* Patent pending.



# Keeler Hardware

telephone +61 2 8966 5966  
[www.keelerhardware.com.au](http://www.keelerhardware.com.au)



# 3580 Series Cylinder Mortice Locks

## 3582 Short Backset Vestibule Locks

Various latching functions operated generally by key or handle outside and by turnknob, key or handle inside. These locks comply with building regulations for single-action escape doors.

For ease of selection specify primary lock ie, 3582SC. This lock can then be easily adapted to suit function required.

### Features & Specifications

#### Bolt

Deadlatch only.

#### Keying

Can be keyed alike, master keyed, grand master keyed, maison keyed or construction keyed in Lockwood security keying systems.

#### Standard Finishes:

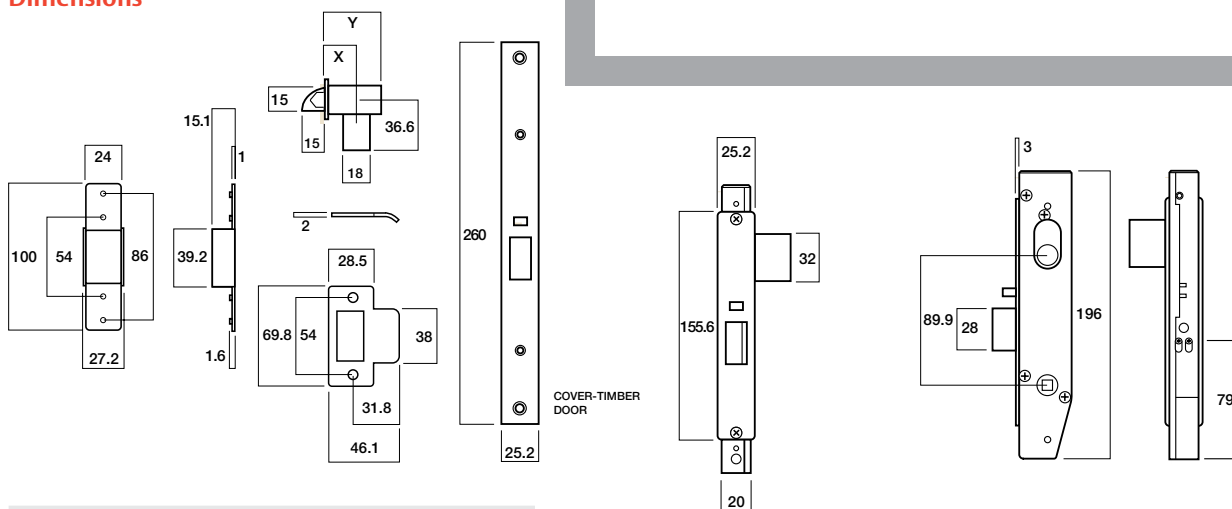
Chrome Plate CP  
Satin Chrome SC  
Polished Brass PB

Other finishes on application.

### Ordering Procedure

Refer page 12.

### Dimensions



	STD Backset	Extended backset		
Dimension X	23	25.4	30	38
Dimension Y	39.4	41.8	46.8	54.4
Minimum internal depth of door	40	43	48	58

1300 LOCK UP (1300 562 587)  
lockweb.com.au

## 3582 Short Backset Vestibule Locks

### Vestibule Set

#### Cylinder and turnknob. Reversible.

Metal Doors	Right Hand	3582XTR
	Left Hand	3582XTL
Timber Doors	Right Hand	3592XTR
	Left Hand	3592XTL

**Outside:** Opened by key at all times. Opened by handle except when handle is made inoperative by turnknob from inside.

**Inside:** Opened by handle at all times. Turnknob locks or unlocks outside handle.

### Storeroom Locking Latch

#### Cylinder outside. Reversible.

Metal Doors	Right Hand	3582X-R
	Left Hand	3582X-L
Timber Doors	Right Hand	3592X-R
	Left Hand	3592X-L

**Outside:** Opened by key. Handle is always rigid.

**Inside:** Opened by handle at all times.

### Single Action Escape Latch

#### Cylinder outside. Reversible.

Metal Doors	Right Hand	3582X-R
	Left Hand	3582X-L
Timber Doors	Right Hand	3592X-R
	Left Hand	3592X-L

**Outside:** Opened by key.

**Inside:** Opened by handle at all times.

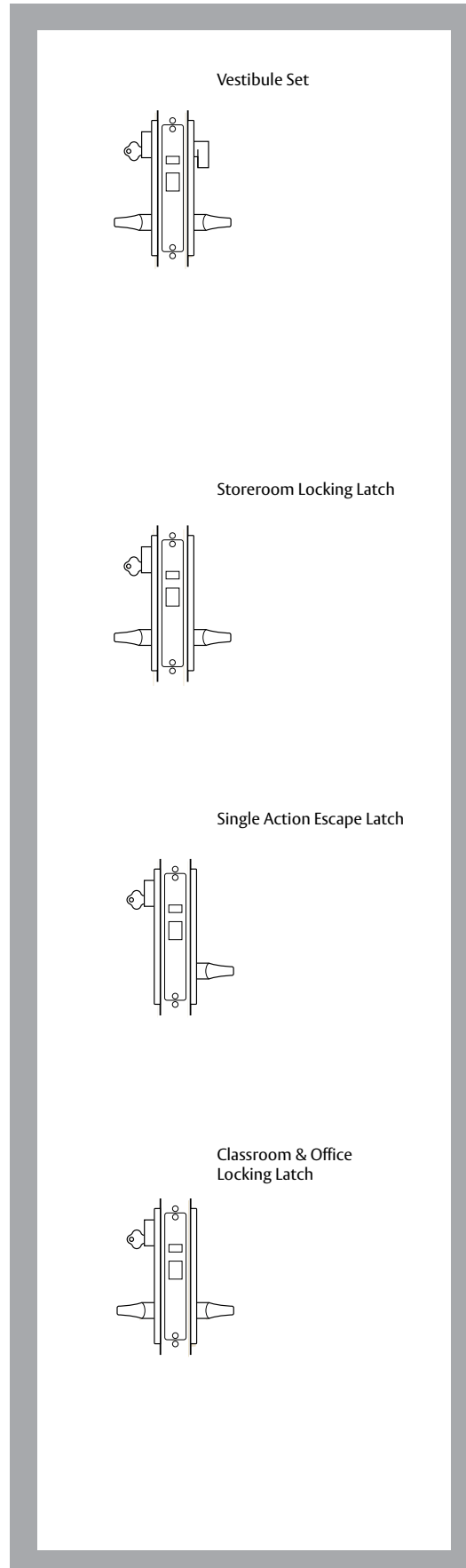
### Classroom & Office Locking Latch

#### Cylinder outside. Reversible.

Metal Doors	Right Hand	3582Z-R
	Left Hand	3582Z-L
Timber Doors	Right Hand	3592Z-R
	Left Hand	3592Z-L

**Outside:** Opened by handle except when handle is made inoperative by key from outside. Key locks or unlocks outside handle.

**Inside:** Opened by handle at all times.



**ASSA ABLOY**

## 3582 Short Backset Vestibule Locks

### Exterior Deadlatch (Complete Unit)

#### Cylinder outside. Key hold back.

Right Hand	3582-1RSC
Left Hand	3582-1LSC

**Outside:** Opened by key.  
**Inside:** Opened by turn knob at all times.

### Exterior & Exit Door Lock (Complete Unit)

#### Double cylinder key hold-back.

Right Hand	3582-3RSC
Left Hand	3582-3LSC

**Outside:** Opened by key.  
**Inside:** Opened by key.

### Single Action Escape Latch (Complete Unit)

#### Cylinder and exit handle with key hold-back.

External plate, internal plate included.

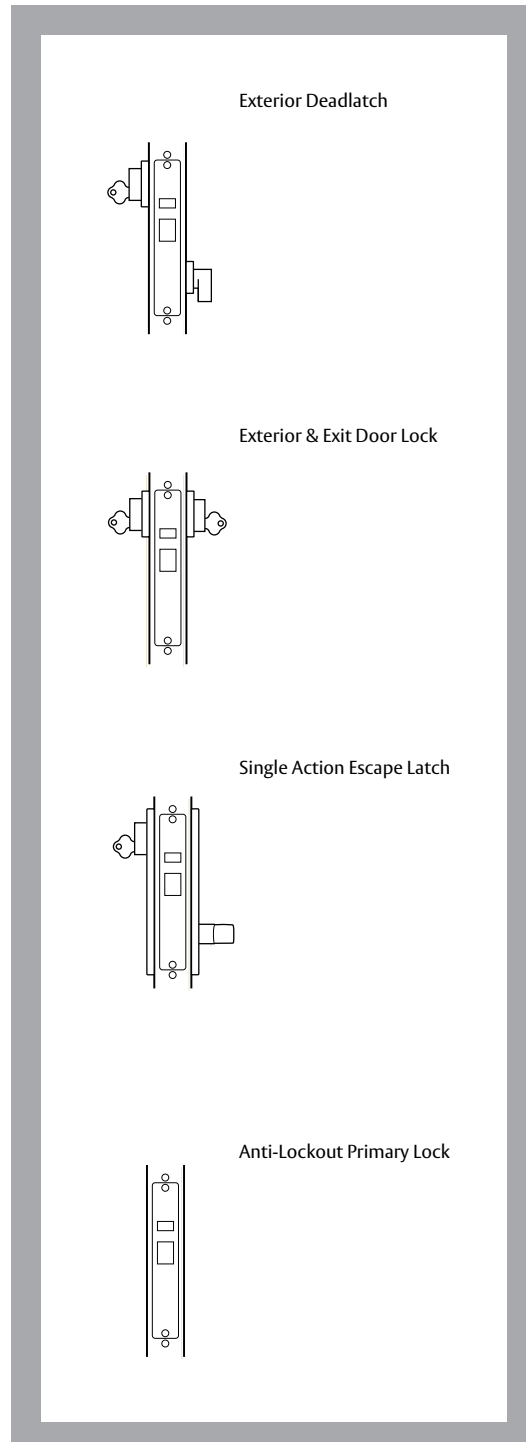
Right Hand	3582-5RSC
Left Hand	3582-5LSC

**Outside:** Opened by key. 360 ° key rotation to hold back latch  
**Inside:** Opened by handle at all times.

### Anti-Lockout Primary Lock

Metal Doors	3582-ASC
Timber Doors	3592-ASC

For use on entry, toilet and patio doors where anti-lockout is required. Add levers, cylinders and turn knobs as required. Cannot be made from 3582 primary lock.





Keeler Hardware

telephone +61 2 8966 5966  
[www.keelerhardware.com.au](http://www.keelerhardware.com.au)



## 3584 Short Backset Combination Locks

Various latching functions operated generally by outside or inside handles, except when locked by key outside or by key or turnknob inside.

For ease of selection specify primary lock ie, 3582SC. This lock can then be easily adapted to function required.

### Features & Specifications

#### Bolt

Deadlatch only .

#### Keying

Can be keyed alike, master keyed, grand master keyed, maison keyed or construction keyed in Lockwood security keying systems.

### Standard Finishes:

Chrome Plate	CP
Satin Chrome	SC
Polished Brass	PB

Other finishes on application.

### Ordering Procedure

Refer page 12.



# 3580 Series Cylinder Mortice Locks

## 3584 Short Backset Combination Locks

### Passage Latch

#### No locking function. Reversible.

Metal Doors 3584

Timber Doors 3594

**Outside:** Opened by handle.

**Inside:** Opened by handle.

### Office Locking Latch

#### Cylinder and turnknob. Reversible.

Metal Doors Right Hand 3584WTR

Left Hand 3584WTL

Timber Doors Right Hand 3594WTR

Left Hand 3594WTL

**Outside:** Opened by handle except when handle is made inoperative by key from outside or by turnknob from inside. Key locks or unlocks both handles.

**Inside:** Opened by handle except when handle is made inoperative by key from outside or turnknob inside. Turnknob locks or unlocks both handles.

### Glass Door Locking Latch

#### Double cylinder. Reversible.

Metal Doors Right Hand 3584ZZR

Left Hand 3584ZZL

Timber Doors Right Hand 3594ZZR

Left Hand 3594ZZL

**Outside:** Opened by handle except when handle is made inoperative by key from either side. Key from either side locks or unlocks both handles.

**Inside:** Opened by handle except when handle is made inoperative by key from either side. Key from either side locks or unlocks both handles.

### Privacy Latch

#### Emergency button and turnknob. Reversible.

Metal Doors Right Hand 3584ETR

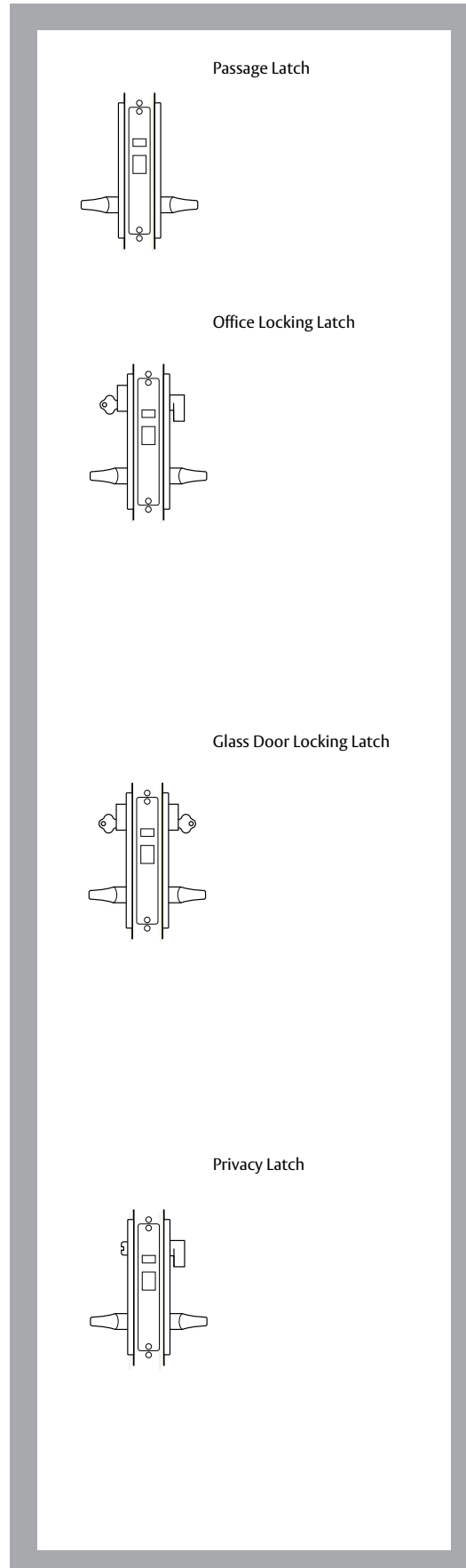
Left Hand 3584ETL

Timber Doors Right Hand 3594ETR

Left Hand 3594ETL

**Outside:** Opened by handle except when handle is made inoperative by turnknob from inside. Handle may be unlocked from outside by coin or screwdriver by operating the slotted emergency turnbutton.

**Inside:** Opened by handle except when handle is made inoperative by turnknob. Turnknob locks or unlocks both handles.



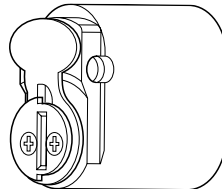
**ASSA ABLOY**

# 3580 Series Cylinder Mortice Locks

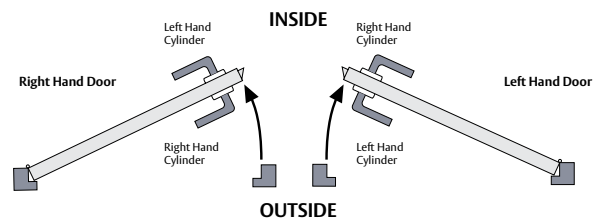
## 3580 Accessories

### Hold Back Cylinder:

- For use with 3580 locks only;
- Special latching cylinders with levers that enable the latchbolt to be held in retracted position.
- To apply hold back: Insert key into cylinder and retract bolt with one full turn of key. Hold bolt depressed with finger and withdraw key.
- To release hold back: Insert key into cylinder, rotate key one full turn and withdraw key.

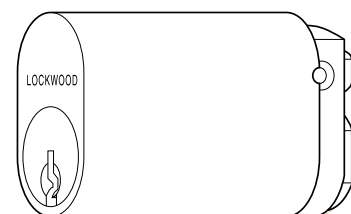
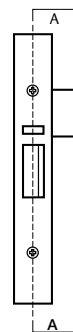
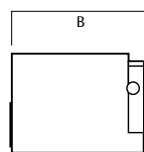


Right Hand	Part No.	Left hand	Part No.
Bright Chrome	3580-2402CP	Bright Chrome	3580-2452CP
Satin Chrome	3580-2402SC	Satin Chrome	3580-2452SC
Polished Brass	3580-2402PB	Polished Brass	3580-2452PB



### Extended Cylinders:

- Extended cylinders should be considered when door thickness exceeds 50 mm or when the lock is mounted off centre in the door edge.
- A range of cylinders is available to suit various door thicknesses.



### Standard Finishes

Bright Chrome	CP
Satin Chrome	SC
Polished Brass	PB

### Part Number with Relevant Cam

"X" Cam	"Z" Cam	"W" Cam	"A" Cylinder Projection	"B" Cylinder Length	Door Thickness (lock Central)
570-2/37	572-2/37	575-2/37	42	39	50 to 58
570-2/48	572-2/48	575-2/48	53	50	58 to 82
570-2/60	572-2/60	575-2/60	65	62	82 to 106
570-2/76	572-2/76	575-2/76	81	78	106 to 130
570-2/84	572-2/84	575-2/84	89	86	130 to 154
570-2/98	572-2/98	575-2/98	103	100	154 to 178

A = Cylinder in mounted position to the outside of cylinder face.

B = Overall cylinder length excluding cam.

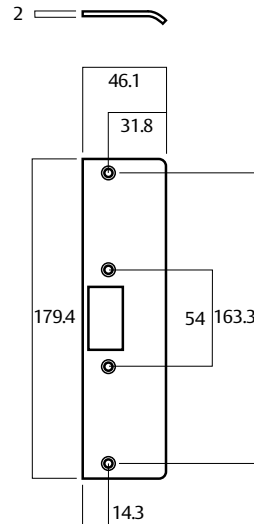
# 3580 Series Cylinder Mortice Locks

## 3580 Accessories

### Retrofit Strikes

For replacement of existing installations where Lockwood 5900, 595 and Astra Short Backset are used. For replacement of Astra specify 25.4 mm backset.

Part Numbers	
Bright Chrome	3580-1902CP
Satin Chrome	3580-1902SC
Polished Brass	3580-1902PB

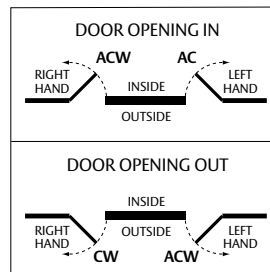


### Rebate Kits

Rebate kits to suit 13 mm rebated timber doors with minimum backset of 30 mm available on application.

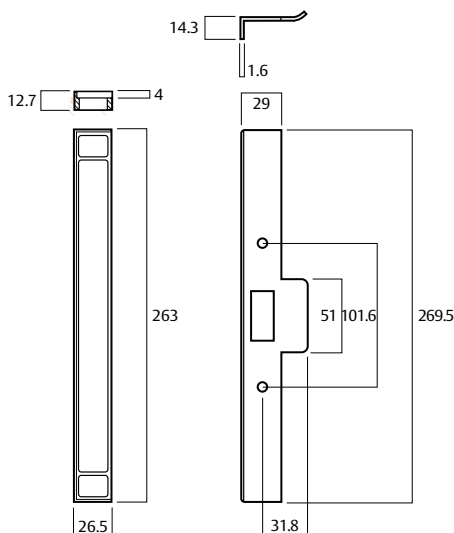
Part Numbers		
Bright Chrome	3580-2902	CW / ACW CP
Satin Chrome	3580-2902	CW / ACW SC
Polished Brass	3580-2902	CW / ACW PB

\*Specify door handing (clockwise/anti-clockwise)



CW Left Hand open in and  
(Clockwise) Right Hand open out.

ACW Left Hand open out and  
(Anti-Clockwise) Right Hand open in.



## 3580 Series Ordering Procedure

Sample Part Number 3582XTRSC is made up of six sections. The description for this part number is a vestibule set with external cylinder and internal turnknob for right hand door and satin chrome finish. Choose your product by selecting an option from each section. For example:

Backset	Door Material	Function	Sub Function	Handing	Finish
3	58	2	XT	R	SC

Backset	Functions	Handing
23mm	3	Right Hand
25.4 mm	4	Left Hand
30 mm	5	
38 mm	6	

Door Material	Sub Functions
Metal	eg. Outside X Inside T
Timer	Locking Cylinder with W cam
	Latching Cylinder with X cam
	Locking Cylinder with Y cam
	Locking Cylinder with Z cam
	Emergency button
	Turnbutton adaptor
	Antilockout

Finish
Bright Chrome
Satin Chrome
Polished Brass

## Code

- Backset:** Nominate backset as required, eg 3 = 23mm backset.
- Door Material:** Select function, eg 58 = metal door.
- Function:** Select function, eg 2 = vestibule lock.
- Sub Function:** Determine sub function for both exterior and interior, eg: Exterior – X = Latching cylinder, Interior – T = Turnbutton adaptor.
- Handing:** If applicable refer to door handing chart to determine left or right handing, eg R.
- Finish:** Select appropriate finish, eg SC. Other finishes available on application.

## Specification Service

For all Architectural hardware specification assistance refer to your local ASSA ABLOY Sales Office.

A fully comprehensive, obligation free, Architectural Door Hardware specification can be prepared by Architectural Hardware Representatives.

## Quality Endorsed Company

SAI Global operates a program which assesses the quality procedures and capabilities of an organisation in terms of the requirements of specific Australian and International Standards for Quality Systems. Following assessment by SAI Global, ASSA ABLOY Australia Pty Limited, 235 Huntingdale Rd, Oakleigh VIC 3166 have been granted a certificate of registration as a quality endorsed company complying with the requirements of AS 3902/ISO 9001 – Quality Systems for Production and Installation.

## Disclaimer

Whilst every effort has been made to ensure that the information contained in this catalogue is accurate at the time of publication, ASSA ABLOY recommends that you consult ASSA ABLOY or its agents prior to placing an order to ascertain current information on specific products, as ASSA ABLOY reserves the right to make changes without notice. ASSA ABLOY will not be liable for any injury, loss or damage whatsoever, arising from any errors or omissions in the information contained in the catalogue or arising from the use or application of the information contained herein. This catalogue does not constitute an offer for the sale of any particular product.

## Lockwood Guarantee and Care & Maintenance

Please go to [lockweb.com.au](http://lockweb.com.au) for details on Lockwood Guarantee and product care & maintenance.